

**MAIN DECK**  
T.O.S. EL. (+) 90'-0"  
SCALE: 3/16"=1'-0"

SUPPLEMENTAL DRAWINGS				REVISIONS				REVISIONS				CUSTOMER					
NO.	DATE	DESCRIPTION	BY	CHK	APP	NO.	DATE	DESCRIPTION	BY	CHK	APP	NO.	DATE	DESCRIPTION	BY	CHK	APP
A	2-2-96	"PRELIMINARY"				5	4-10-97	ISSUED FOR EQUIPMENT INSTALLATION									
B	2-16-96	"FOR CLIENT'S REVIEW"				6	5-30-97	"AS BUILT"									
1	1-07-97	APPROVED FOR CONSTRUCTION															
2	2-27-97	GENERAL REVISIONS															
3	2-28-97	GENERAL REVISIONS															
4	3-4-97	GENERAL REVISIONS AS PER EGO															

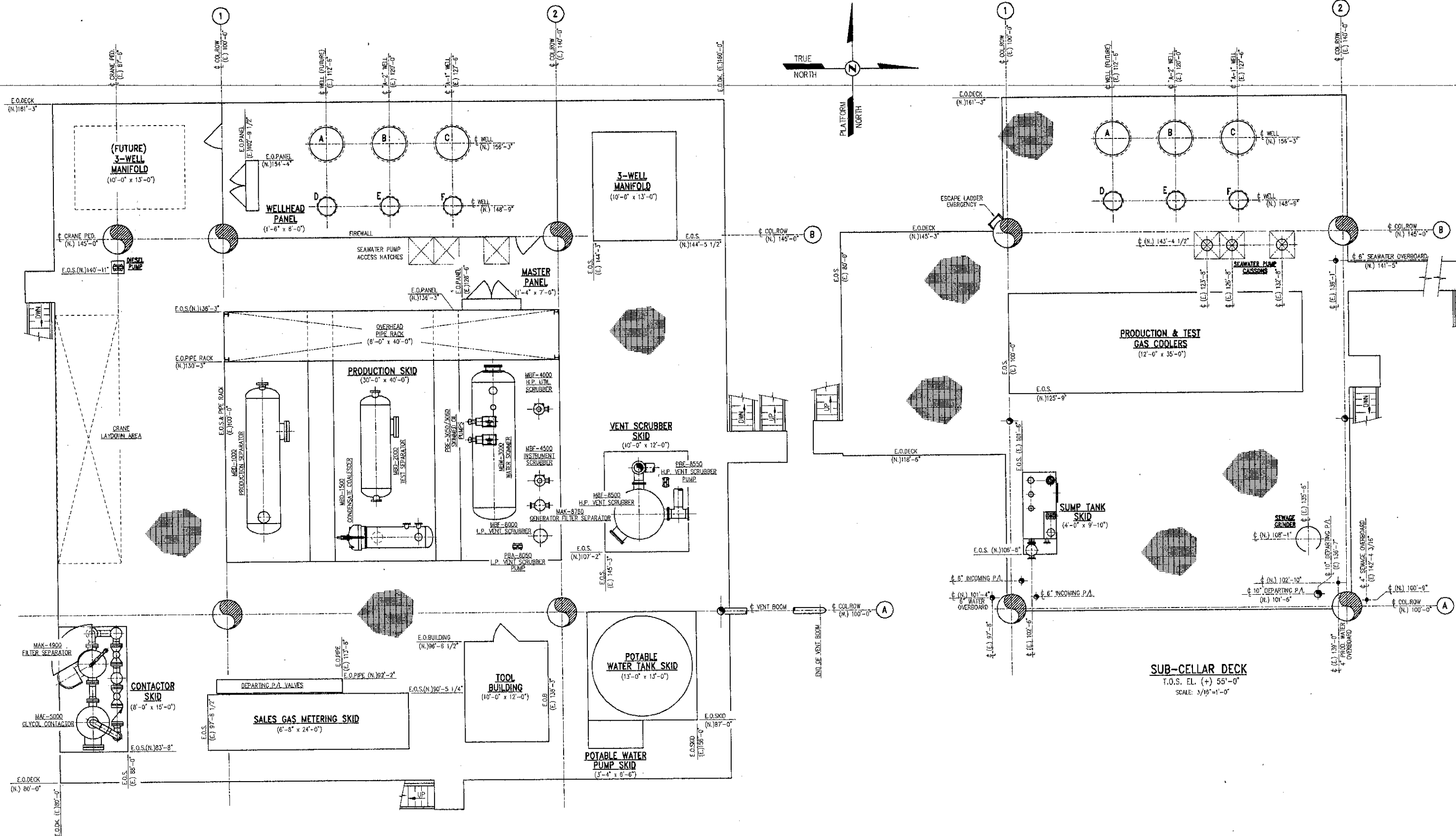
**ENRON** Oil & Gas Company

PREPARED BY **A. F. INDUSTRIES**  
P.O. BOX 91731  
LAFAYETTE LA. 70509

DESCRIPTION: EQUIPMENT LOCATION PLAN MAIN DECK EUGENE ISLAND BLK. 135 "A"

DATE: 05-30-97

APPROVED BY: FEL



**CELLAR DECK**  
T.O.S. EL. (+) 70'-0"  
SCALE: 3/16"=1'-0"

**SUB-CELLAR DECK**  
T.O.S. EL. (+) 55'-0"  
SCALE: 3/16"=1'-0"

NO.	DATE	REVISIONS	BY	CHK	APP	NO.	DATE	REVISIONS	BY	CHK	APP
A	12-2-96	"PRELIMINARY"				5	4-10-97	ISSUED FOR EQUIPMENT INSTALLATION			
B	12-18-96	"FOR CLIENT'S REVIEW"				6	5-30-97	"AS BUILT"			
1	1-07-97	APPROVED FOR CONSTRUCTION									
2	1-27-97	GENERAL REVISIONS									
3	2-26-97	GENERAL REVISIONS									
4	3-4-97	GENERAL REVISIONS AS PER EOG									

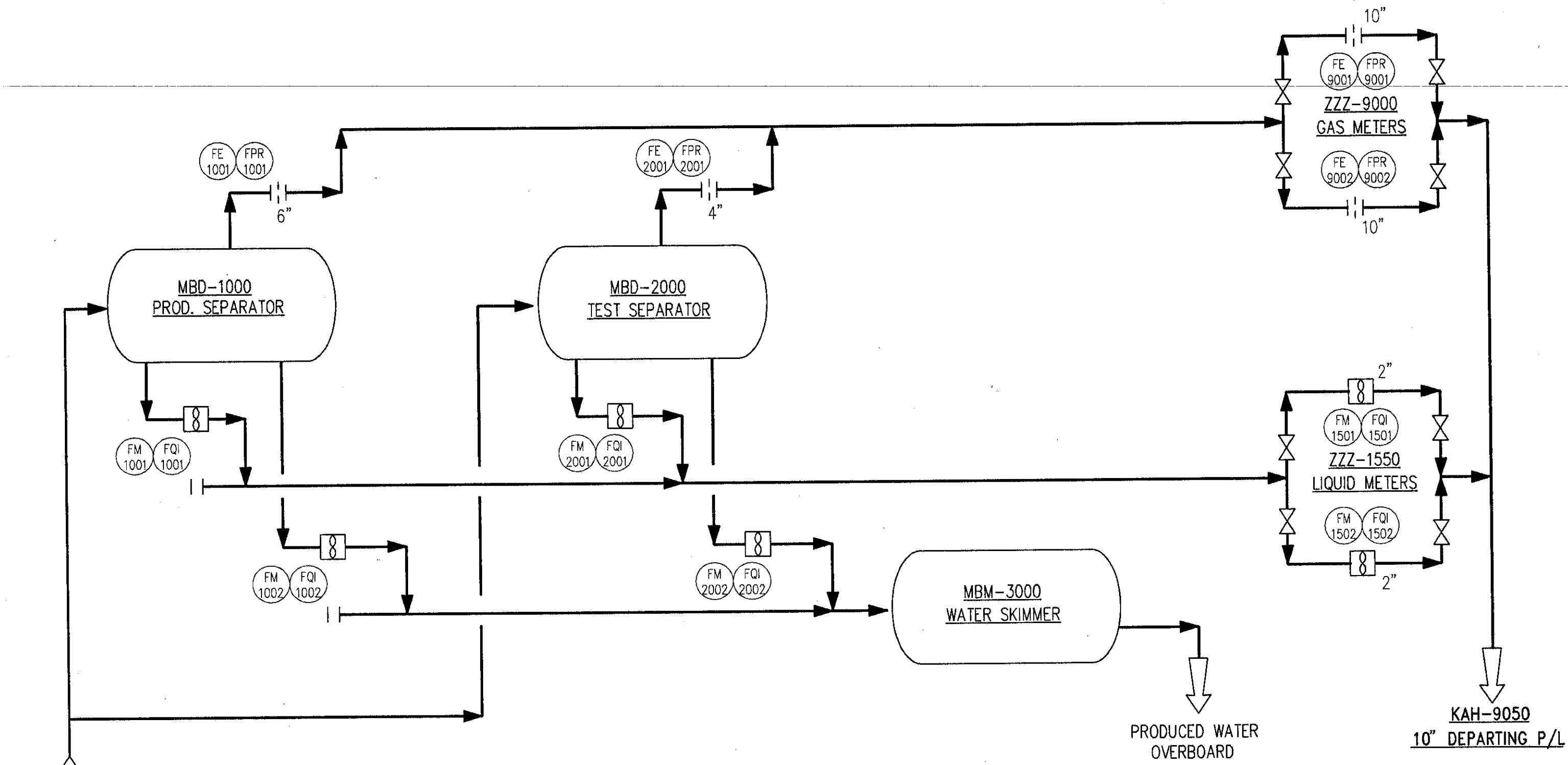
**ENRON** Oil & Gas Company

**AFI** A. F. INDUSTRIES  
P.O. BOX 91731  
LAFAYETTE, LA 70509

**EQUIPMENT LOCATION PLAN**  
CELLAR AND SUB-CELLAR DECKS  
EUGENE ISLAND BLK. 135 "A"

DATE: 05-30-97  
DRAWN BY: W. DOIZE  
CHECKED BY: PEL  
APPROVED BY: IR. HEBERT

WORK NO.: 3259  
PROJECT NO.: 3259-102



ENRON EI-135 "A"  
FROM WELLS

CUSTOMER  
**ENRON** Oil & Gas Company

NO.	DATE	REVISIONS	BY	CHK	APP
0	5-30-97	"ISSUED FOR PERMITTING"			
1	6-26-97	"AS BUILT"			

	PREPARED BY <b>A. F. INDUSTRIES</b> P.O. BOX 91731 LAFAYETTE LA. 70509	DESCRIPTION OCS G-14467 GAS & LIQUID HYDROCARBON MEASUREMENT EUGENE ISLAND BLK. 135 "A"			
	P.O. NO. APPROVED BY	JOB NO. 3259 DATE	ENGR. W. DOIZE' CHK. BY FEL	DWG. BY IR HEBERT DATE 06-26-97	DWG. NO. AFI 3259-B103 REV 1



